



LS5WT Wall Speaker



LS6CT Ceiling Speaker

PRODUCT SPECIFICATIONS

LS5WT Wall Speaker

Speaker Type:

- 2-Way, Wall Mount Speaker

Frequency Range:

- 80 Hz to 19 kHz

Power Handling:

- 30 Watts RMS, 80 Watts Peak

Nominal Sensitivity:

- 90 dB SPL, 1W @ 1m

Nominal Coverage Angle:

- 110° Conical Coverage

Nominal Impedance

- 8 Ohms

Transformer Taps:

- 70V – 1.25W, 2.5W, 5W, 7.5W, 15W
- 100V – 2.5W, 5W, 10W, 15W, OFF

Woofers:

- 5" (127 mm) Poly-propylene Cone with Moisture Resistant Rubber Coating

Tweeter:

- 0.5" (12.7 mm) Mylar Tweeter

Termination:

- Two (2) Input Termination Screws (Red = Positive Post, Silver = Negative Post)

Dimensions:

- 286mm(H) × 210mm(W) × 190mm(D);
- 11.26"(H) × 8.27"(W) × 7.48"(D)

Net Weight (each):

- 2.27 Kg (5 lb)

LS6CT Ceiling Speaker

Speaker Type:

- 2-way, ceiling speaker with metal back can

Frequency Range:

- 65 Hz to 20 kHz

Power Handling:

- 60 Watts RMS, 120 Watts Peak

Nominal Sensitivity:

- 88 dB, 1W @ 1m

Nominal Impedance

- 8 Ohms

Transformer Taps:

- 70V – 30W, 15W, 7.5W, 3.8W, 1.9W
- 100V – Null, 30W, 15W, 7.5W, 3.8W

Woofers:

- 6.5" (165mm) poly-propylene cone with moisture resistant coating

Tweeter:

- ¾" (19mm) silk dome

Overload Protection:

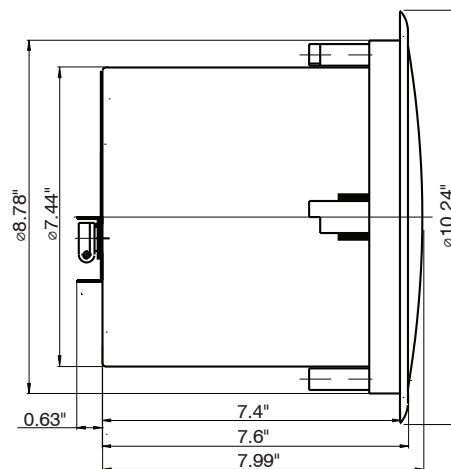
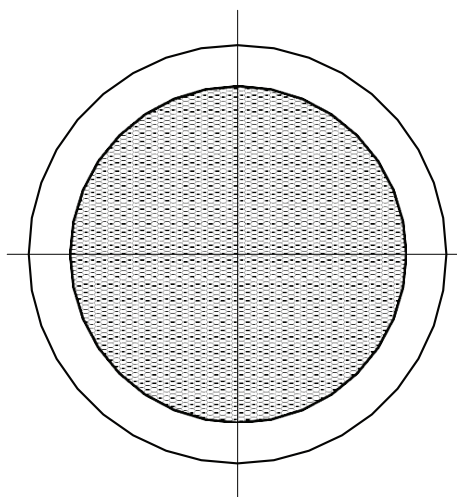
- Full range power limiter with the 8 ohm direct input only, protecting the tweeter, woofer and crossover

Dimensions:

- 10.24" (260mm) diameter, 7.40" (188mm) deep

Net Weight (each):

- 3.5 Kg (7.71 lb)



Note: All nominal values ± 10%

SALES AND INQUIRIES

North America

Tel: 801.975.7200
TollFree: 800.945.7730
TechSales: 800.705.2103
Fax: 801.303.5711
sales@clearone.com

Europe & Oceania

Tel: +44.1454.616.977
global@clearone.com

Middle East

Tel: +91.9930782195
global@clearone.com

Asia Pacific

Tel: +86.138.23287825
global@clearone.com

Other Regions

Tel: +1.801.975.7200
global@clearone.com